

# MAMMOTH-JOYSTICK MJ-30K



LEADING IN SENSORS

[metallux.de](http://metallux.de)

# MAMMOTH-JOYSTICK MJ-30K



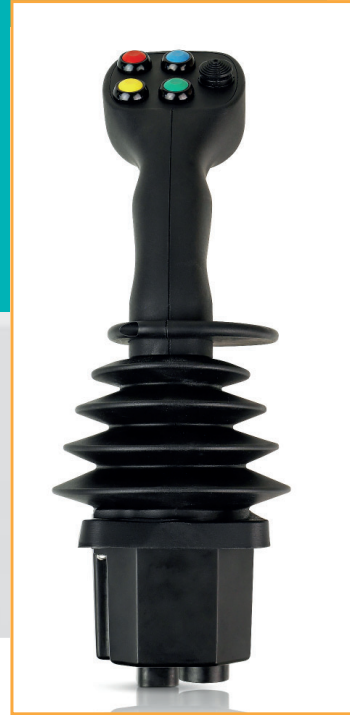
## Preliminary Data Sheet

### FEATURES / TECHNOLOGY

- Contactless Hall Sensors
- Taster variations
- CANopen 2.0b & SAEJ1939

### APPLICATIONS

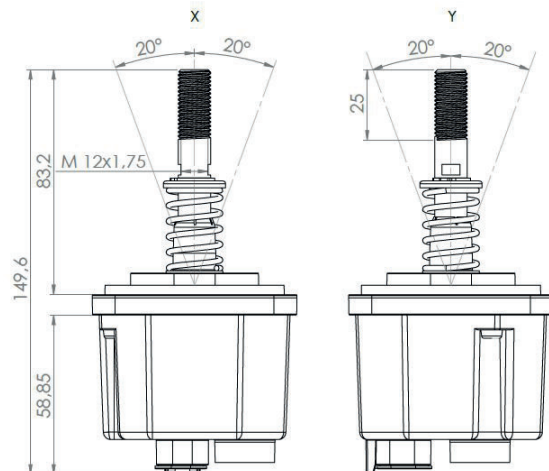
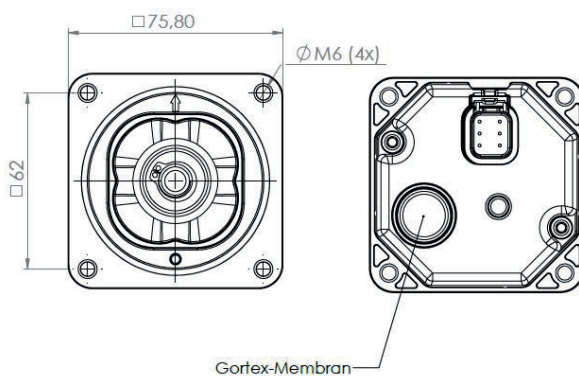
Heavy Duty



### SPECIFICATIONS

Actuation angle	$\pm 20^\circ$	Interface	CANopen
Operating temperature	$-25^\circ\text{C} \dots +85^\circ\text{C}$	Protocol	CANopen 2.0b & SAEJ1939
Storage temperature	$-50^\circ\text{C} \dots +85^\circ\text{C}$	Mechanics	15,0 Mio. lifecycles
Protection class	IP67		
Operating voltage	12...48VDC		

### DRAWINGS MJ-30K



METALLUX AG

Robert-Bosch-Straße 29  
71397 Leutenbach-Nellmersbach  
Germany

FON +49 (0)7195 / 59 80-0  
FAX +49 (0)7195 / 59 80-300  
E-Mail: info@metallux.de

System Certification  
to ISO 9001:2015