

## Potentiometer CP Model POL 120



### Features

- synchronise to international standard
- high life cycles
- excellent linearity
- world smallest servo potentiometer:  
small size Ø 13 mm

### Applications

- throttle position
- joysticks
- steering angle fork lift
- servosystems

### Metallux AG

Robert-Bosch-Str. 29  
D-71397 Leutenbach  
Tel: +49 (0) 7195/5980-0  
Fax +49 (0) 7195/5980-300  
[www.metallux.de](http://www.metallux.de)  
[info@metallux.de](mailto:info@metallux.de)

# Potentiometer CP Model POL 120



metallux.de

technology matters

## Electrical Characteristics

Resistance range	10k $\Omega$	(1)
Resistance tolerance	$\pm 20\%$	(1)
Effective electrical angle	308 $^\circ$	
Absolute linearity	$\pm 2,5\%$	(1)
Power rating	0,5 W at 70 $^\circ$ C	
Resolution	essentially infinite	
Max. wiper current	10mA in failure mode	
Wiper load	$> 100 \cdot R_n$	
Insulation resistance	10 G $\Omega$ at 500 VDC	
Dielectric withstanding voltage	1000VAC	
Temperature coefficient of voltage divider	$< \pm 15$ ppm/ $^\circ$ C	

## Mechanical Characteristics

Life cycles	3.000.000 cycles	
Mechanical angle	no end mechanical end stop	(2)
Seal condition	IP 65	(1)
Torque (starting & running)	$< 0,7$ Ncm	(1)
Bearing	solid bearing	(1)

## Environmental Characteristics

Operating temperature	-25 $^\circ$ C ... +120 $^\circ$ C
Climatic class	25/085/56
Vibration	10g (50Hz - 10 kHz)
Shock	50g (11 msec. half sine)

## Material

Housing	brass nickel plated
Shaft	stainless steel
Connections	flying lead

Specifications subject to change without notice

- (1) Other values on request  
(2) Stops on request

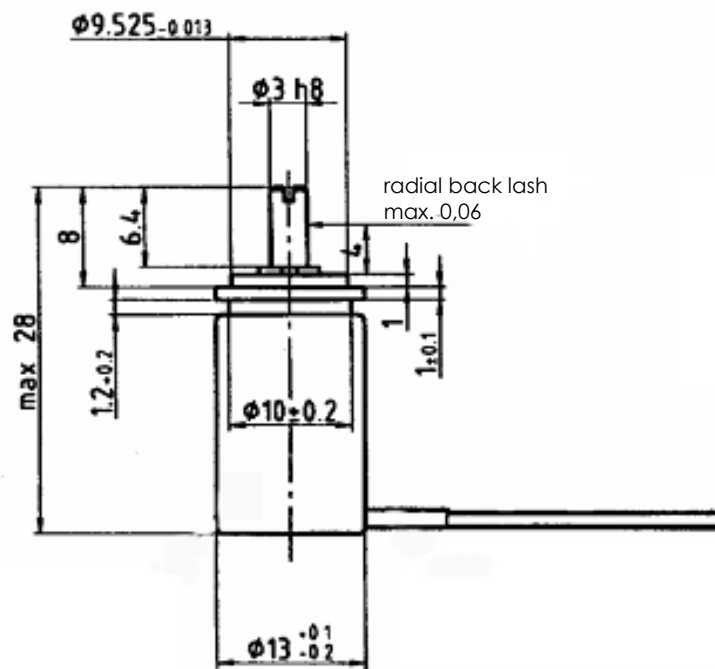
# Potentiometer CP Model POL 120



metallux.de

technology matters

## Drawing



## How to order

P	O	L	1	2	0	S	C	E	1	0	K	3	0	8	°	L	i
Series			Type			Spindle diameter		Resistance			Electrical angle			Electrical interface			
Potentiometer CP			Body diameter: 13mm			C - 3mm		10K			308°			Li - Braid connection poured KA- Cable connection			
						Fixture											
						S - Servo flange axle with slot											
						Spindle length from flange: 7mm											

Specifications subject to change without notice