

Precision Potentiometer CP Ball Bearing Model POL 230

Features

- synchronous to international standard
- high life cycles
- excellent linearity

Applications

- high end measuring systems
- servosystems



Metallux AG

Robert-Bosch-Str. 29
D-71397 Leutenbach
Tel: +49 (0) 7195/5980-0
Fax +49 (0) 7195/5980-300
www.metallux.de
info@metallux.de

Precision Potentiometer CP - Ball Bearing Model POL 230



metallux.de

technology matters

Electrical Characteristics

Resistance range	1k Ω , 5k Ω	(1)
Resistance tolerance	$\pm 20\%$	(1)
Effective electrical angle	350°	
Absolute linearity	$\pm 1\%$	(1)
Power rating	0,5 W at 70°C	
Resolution	essentially infinite	
Max. wiper current	10mA in failure mode	
Wiper load	> 100* R _n	
Insulation resistance	10 G Ω at 500 VDC	
Dielectric withstanding voltage	1000VAC	
Temperature coefficient at voltage divider	< ± 15 ppm/°C	

Mechanical Characteristics

Life cycles	20.000.000 cycles	
Mechanical angle	no end mechanical end stop	(2)
Seal condition	IP 65	(1)
Torque (starting & running)	< 0,2Ncm	(1)
Bearing	ball bearing	(1)

Environmental Characteristics

Operating temperature	-40°C ... +120°C
Climatic class	25/085/56
Vibration	10g (50Hz - 10 kHz)
Shock	50g (11 msec. half sine)

Material

Housing	aluminium
Shaft	stainless steel
Connections	flight lead

Specifications subject to change without notice

(1) Other values on request

(2) Stops on request

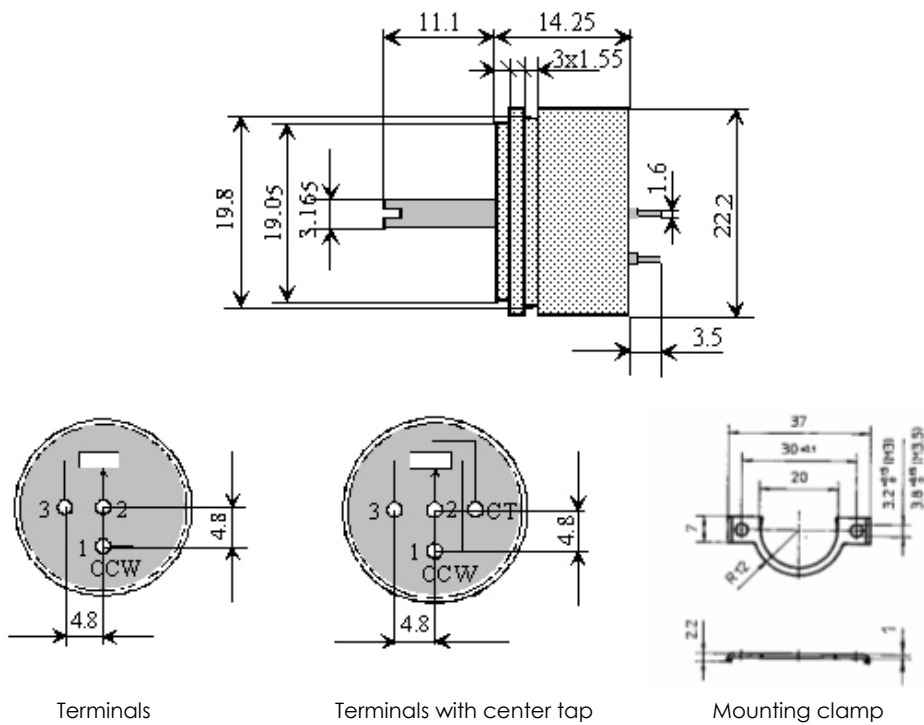
Precision Potentiometer CP - Ball Bearing Model POL 230



metallux.de

technology matters

Drawing



How to order

P	O	L	2	3	0	S	A	K	G	E	5	K	3	4	0	°	L	i	
Series			Type			Fixture	Spindle diameter			Resistance			Electrical angle				Electrical interface		
Potentiometer CP			Body diameter: 22,2mm			S - Synchro flange with brackets Spindle length from flange: 11mm	A - 6,00mm B - 6,35mm C - 3,17mm			1K 5K			340° Center tap possible twin-track for example: 2 x 340° Potentiometer with additional isolated switches				Li - potted flex connection PL - PCB soldering pins KA - Cable connections FB - Flat cable KS - connector		
							Spindle bearing												
							KG - Ball bearing (2 x pieces)												

Specifications subject to change without notice