

## Linear Motion Potentiometer CP Model WPL



### Features

- high life cycles
- easy to assemble
- measuring range 10 - 50 mm

### Applications

- piston position
- cylinder stroke measurement
- foot pedal position
- valve control

### Metallux AG

Robert-Bosch-Str. 29  
D-71397 Leutenbach  
Tel: +49 (0) 7195/5980-0  
Fax +49 (0) 7195/5980-300  
[www.metallux.de](http://www.metallux.de)  
[info@metallux.de](mailto:info@metallux.de)

# Linear Motion Potentiometer CP Model WPL



metallux.de

technology matters

## Electrical Characteristics

Resistance range	5k $\Omega$ (further on request)	(1)
Resistance tolerance	$\pm 20\%$	(1)
Effective electrical travel	10, 15, 25, 30, 50 mm	(1)
Independant linearity	$\pm 2\%$ optional $< \pm 0,25\%$	(1)
Power rating	0,5W at 40°C	
Resolution	essentially infinite	
Max. wiper current	10mA in failure mode	
Wiper load	$> 100 \cdot R_n$	
Insulation resistance	10 G $\Omega$ bei 500 VDC	
Dielectric withstanding voltage	700 VAC	
Temperature coefficient at voltage divider	$< \pm 20$ ppm/°C	

## Mechanical Characteristics

Life cycles	5.000.000 cycles	
Repeatability	0,05mm	(2)
Adjustment speed	max. 01m/s	
Seal condition	IP 63	(1)
Adjustment force	2-8N spring force < 0,5N no spring	(1)

## Environmental Characteristics

Operating temperature	-25°C ... +65°C	
Climatic class	25/085/56	
Vibration	10G	
Shock	50G	

## Material

Housing	Aluminium	
Rod	stainless steel	
Conncections	cable 3x0,14mm <sup>2</sup>	(1)

Specifications subject to change without notice

(1) Other values on request

(2) Stops on request

# Linear Motion Potentiometer CP Model WPL



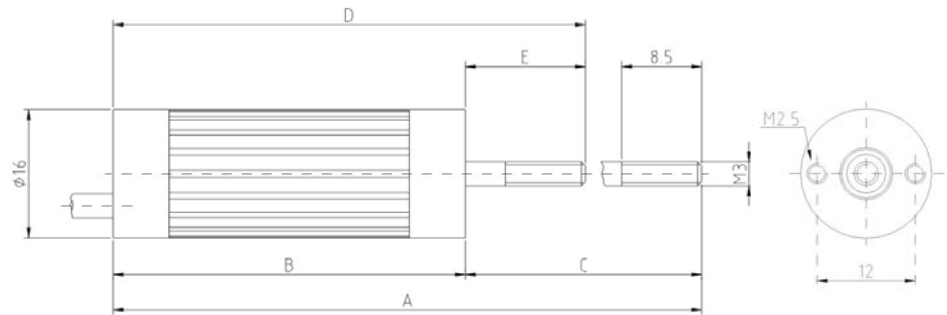
metallux.de

technology matters

## Drawing

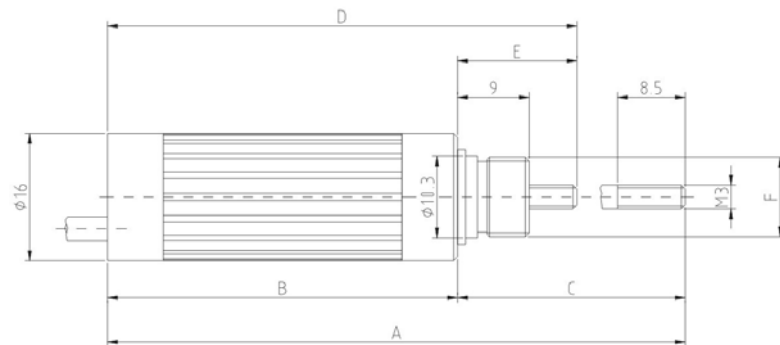
WPL	10E	15E	25E	30E	50E
A	74	84	104	114	154
B	44	49	59	64	84
C	30	35	45	50	70
D	63	68	78	83	103
E	19	19	19	19	19

E-pushrod one side



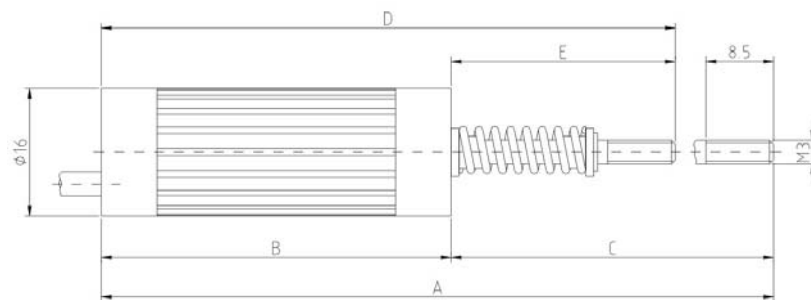
WPL	10EZ	15EZ	25EZ	30EZ	50EZ
A	74	84	104	114	154
B	44	49	59	64	84
C	30	35	45	50	70
D	63	68	78	83	103
E	19	19	19	19	19
F	M10 x 0,75				

EZ-pushrod one side central fixture



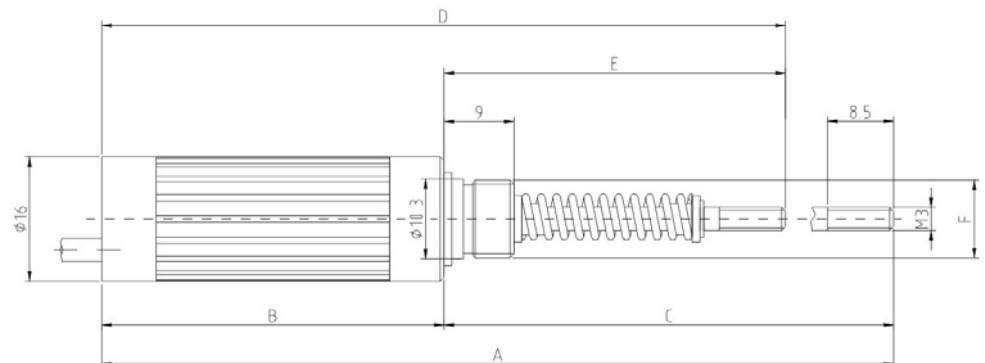
WPL	10EF	15EF	25EF	30EF	50EF
A	86	102	134	150	215
B	44	49	59	64	84
C	42	53	75	86	131
D	75	86	108	119	164
E	31	37	49	55	80

EZ-pushrod one side with spring



WPL	10EFZ	15EFZ	25EFZ	30EFZ	50EFZ
A	95	111	143	159	224
B	44	49	59	64	84
C	51	62	84	95	140
D	84	95	117	128	173
E	40	46	58	64	89
F	M10 x 0,75				

EZ-pushrod one side with spring- central fixture



# Linear Motion Potentiometer CP Model WPL



metallux.de

technology matters

## How to order

<b>W</b>	<b>P</b>	<b>L</b>	<b>1</b>	<b>0</b>	<b>Z</b>	<b>K</b>	<b>F</b>	<b>S</b>	<b>K</b>	<b>S</b>	<b>0</b>	<b>0</b>
<b>Series</b>			<b>Measuring length</b>		<b>Axis diameter</b>		<b>Resistance</b>		<b>Cable length</b>			
Linear Motion Potentiometer CP			10mm 15mm 25mm 30mm 50mm		K - Axis 3mm		F - Reset spring LU - Lumberg plug T - Linearity $\pm 0,25\%$		5K 500mm 1 - Special cable length in mm			
					<b>Fixture</b>							
					Z - Central fixture E - Flange version 2 x M 2,5mm							