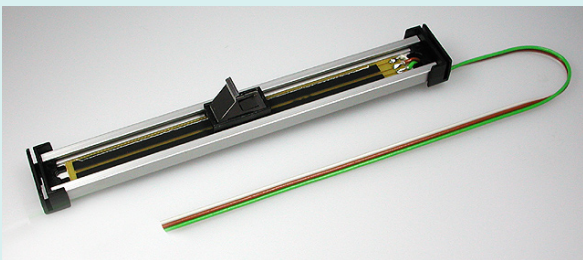


Linear Motion Potentiometer CP Model WPL-OS

(no rod)



Features

- capable for integration
- easy to assemble
- electrical stroke 30 - 400 mm
- oil- and silikon-tolerant wiper thick film system

Applications

- medicine technique
- piston position
- throttle position
- valve control

Metallux AG

Robert-Bosch-Str. 29
D-71397 Leutenbach
Tel: +49 (0) 7195/5980-0
Fax +49 (0) 7195/5980-300
www.metallux.de
info@metallux.de

Linear Motion Potentiometer CP Model WPL-OS



metallux.de

technology matters

Electrical Characteristics

Resistance range	5k Ω	(1)
Resistance tolerance	$\pm 20\%$	(1)
Effective electrical travel	105 mm	(1)
Independant linearity	$\pm 2\%$ optional $< \pm 0,5\%$	(1)
Power rating	0,5W at 40°C	
Resolution	essentially infinite	
Max. wiper current	10mA in failure mode	
Wiper load	$> 100 \cdot R_n$	
Insulation resistance	10 G Ω bei 500 VDC	
Dielectric withstanding voltage	700 VAC	
Temperature coefficient at voltage divider	$< \pm 20$ ppm/°C	

Mechanical Characteristics

Life cycles	10.000.000 cycles	
Repeatability	0,05mm	(2)
Adjustment speed	max. 01m/s	
Seal condition	IP 00	(1)

Environmental Characteristics

Operating temperature	-25°C ... +120°C	
Climatic class	25/085/56	
Vibration	10G	
Shock	50G	

Material

Linear bearing	aluminium profile	
Conncections	cable AWG22-24	(1)

Specifications subject to change without notice

- (1) Other values on request
(2) Stops on request

Linear Motion Potentiometer CP Model WPL-OS

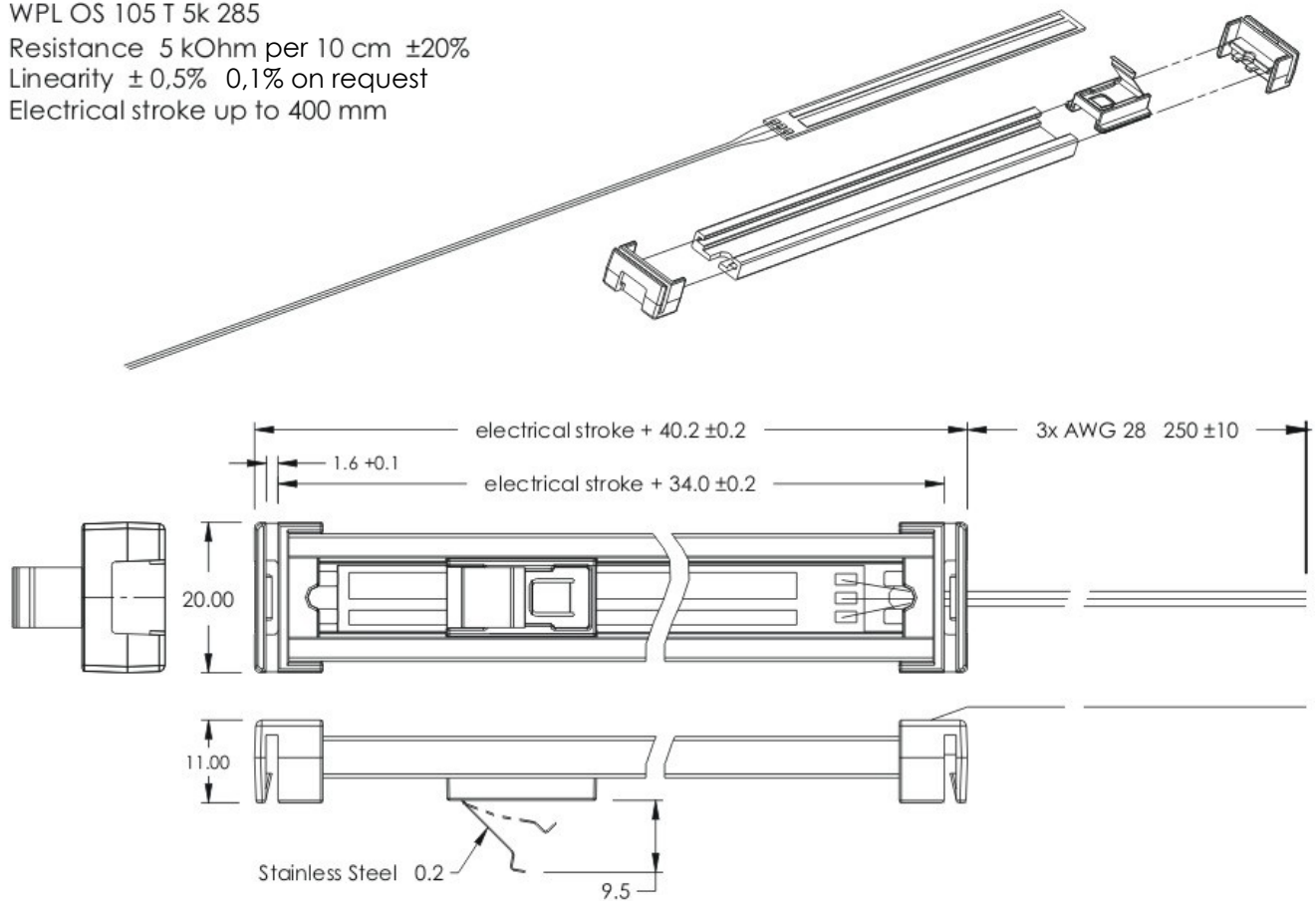


metallux.de

technology matters

Drawing

WPL OS 105 T 5k 285
Resistance 5 kOhm per 10 cm $\pm 20\%$
Linearity $\pm 0,5\%$ 0,1% on request
Electrical stroke up to 400 mm



How to order

W	P	L
Series		
Linear Motion Potentiometer CP		

O	S
OS - no rod	

1	0	5
Type		
105 mm electrical stroke possible: 30-400 mm		

T
T - linearity up to $\pm 0,5\%$

5	K
Resistance	
5K	

2	8	5
Cable length		
285 mm +/- 10 mm AWG 22-24 endings cut		