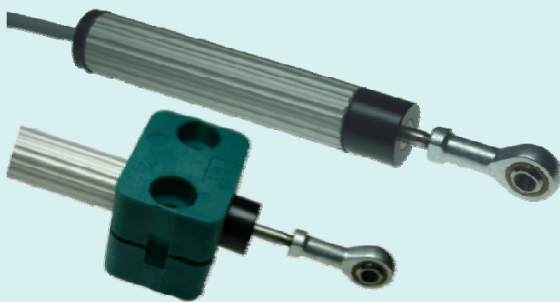


Linear Motion Potentiometer CP Model WPL-LH



Features

- high life cycles
- easy to assemble
- measuring range 25 –300mm

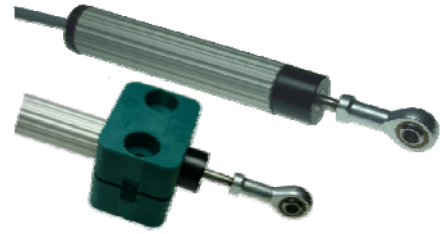
Applications

- cylinder position
- cylinder stroke measurement
- automation control
- valve control

Metallux AG

Robert-Bosch-Str. 29
D-71397 Leutenbach
Tel: +49 (0) 7195/5980-0
Fax +49 (0) 7195/5980-300
www.metallux.de
info@metallux.de

Linear Motion Potentiometer CP Model WPL-LH



metallux.de

technology matters

Electrical Characteristics

Resistance range	1 - 12 k Ω (see the chart)
Resistance tolerance	$\pm 20\%$
Effective electrical travel	25mm - 300mm
Independant linearity	$\pm 1\%$ optional $\pm 0,5\%$
Power rating	0,5W at 40°C
Resolution	essentially infinite
Max. voltage at the ends	1%
Max. wiper current	10mA in failure mode
Wiper current	<0,001mA
Insulation resistance	10 G Ω bei 500 VDC
Dielectric strength	700 VAC
Temperature coefficient at voltage divider	± 20 ppm/°C

Mechanical Characteristics

Life cycles	10.000.000 cycles	
Repeatability	0,05mm	(2)
Adjustment speed	max. 0,5m/s	
Seal condition	IP 63	(1)

Environmental Characteristics

Storage temperature	-25°C ... +105°C
Operating temperature	-25°C ... +85°C
Vibration	10G
Shock	50G

Material

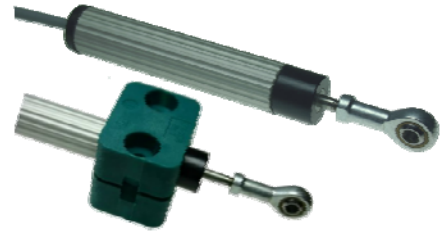
Housing	Aluminium	
Rod	stainless steel	
Conncections	cable 3x0,14mm ² /1m	(1)

Specifications subject to change without notice

(1) Other values on request

(2) Stops on request

Linear Motion Potentiometer CP Model WPL-LH



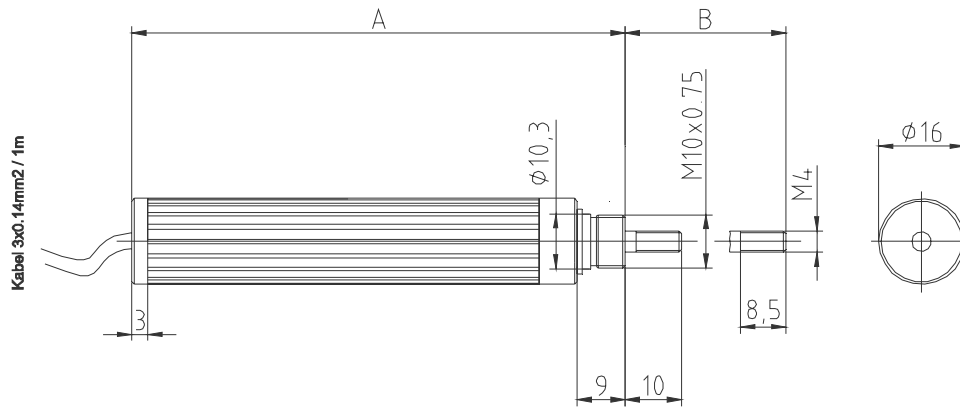
metallux.de

technology matters

Drawing

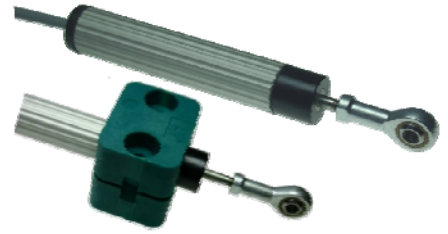
Standard version SE

Dimension drawing SE



WPL-LH-SE-XX	25	50	75	100	150	250	200
Electrical stroke Hub (mm)	25	50	75	100	150	250	300
Mechanical stroke Hub (mm)	26	51	76	101	151	251	301
Dimension A (mm)	64	89	114	139	189	289	317
Dimension B (mm)	39	64	89	114	164	264	314

Linear Motion Potentiometer CP Model WPL-LH



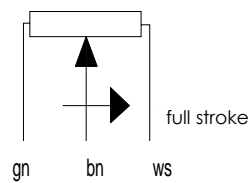
metallux.de

technology matters

Drawing

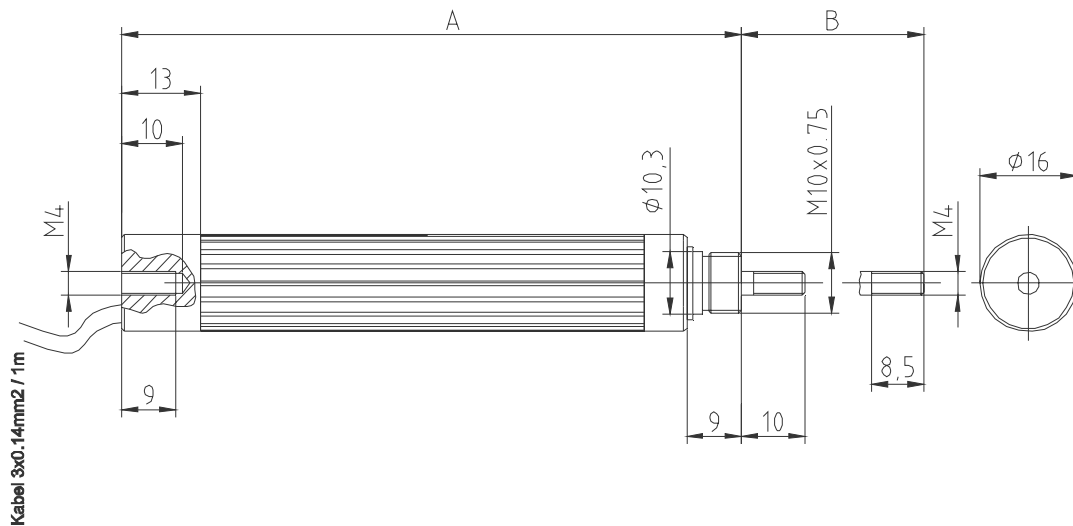
Resistance value +/- 20% (kohm)	1,00	2,00	3,00	4,00	6,00	10,00	12,00
------------------------------------	------	------	------	------	------	-------	-------

connection diagram



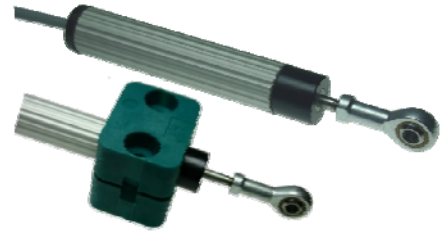
Standard version SG

Dimension drawing SG



WPL-LH-SG-XXX	25	50	75	100	150	250	300
Electrical stroke (mm)	25	50	75	100	150	250	300
Dimension A (mm)	26	51	76	101	151	251	301
Dimension A (mm)	74	99	124	149	199	299	327

Linear Motion Potentiometer CP Model WPL-LH



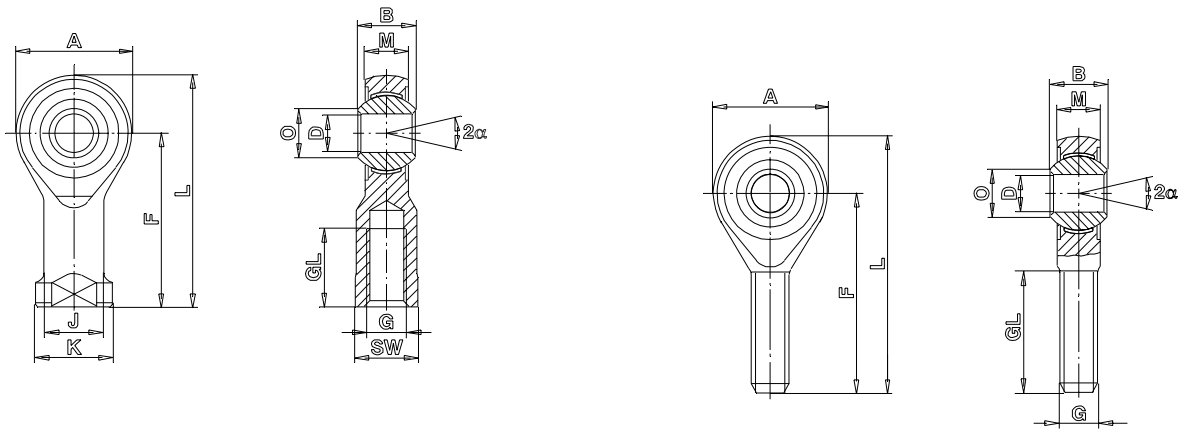
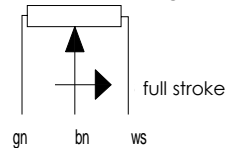
metallux.de

technology matters

Drawing

Dimension B(mm)	39	64	89	114	164	264	314
Resistance Value +/- 20% (kohm)	1,00	2,00	3,00	4,00	6,00	10,00	12,00

connection diagram



Art-Nr.	D1	D2	D3	D4	l1	l2	h1	h2	t
inside thread	4	M4	14	6,46	24	31	5,25	7	12
outside thread	4	M4	14	6,46	24	31	5,25	7	12

How to order

W P L - L H - S E - 0 2 5 - 1 k - K A

L = PC-board

SE = connecting rod
onesided
SD= connecting rod
continuous
SG= with thread

El.-stroke in mm

Resistance
value in k Ohm

KA = cable connection
l1 = single wire connection

Specifications subject to change without notice