

Hollow Shaft Sensor Conductive Plastic

PGL 60



Features

- hollow shaft
- extremely robust
- excellent linearity
- excellent resolution and repeatability

Applications

- axle position monitoring in robotics
- steering angle measurement
- servo systems

Metallux AG
Robert-Bosch-Str. 29
D-71397 Leutenbach - Germany
Tel: +49 (0) 7195/5980-0
Fax: +49 (0) 7195/5980-300
<http://www.metallux.de/>
info@metallux.de

Hollow Shaft Sensor Conductive Plastic

PGL 60



metallux.de

technology matters

Electrical data

Resistance range	10 k Ω (preferred value ; 1,5k ohm on request) *)
Resistance tolerance	\pm 20 %
Effective electrical angle	320° *)
Independent linearity	\pm 1 %
Power rating	0,5 W at 70°C
Resolution	Essentially infinite
Max. Wiper current	10 mA in failure mode
Wiper load	> 100* R _n
Insulation resistance	10 G Ω at 500 V _{DC}
Dielectric withstanding voltage	1000 VAC
Temperature coefficient at voltage divider	\pm 20 ppm/°C

Mechanical data

Life cycles	10 Mio. cycles
Mechanical angle	No mechanical end stop **)
Seal condition	IP63 (lip-seal, O-Ring)
Bearing	Ball-bearing
Housing measurement	\varnothing 31 x 17,55 mm *)
Hollow shaft diameter	6 H 7 mm

Environmental conditions

Operating temperature	- 40°C ... + 85°C
Vibration	10 G (50 Hz - 10 kHz)
Shock	50 G 11 ms half sine

Material

Housing	Aluminium anodised
Electrical connections	cabl 1m

Options

Custom specific housing and axle dimensions
Adapted electrical data - other electrical connections

Specifications subject to change without notice

*) Other values on request

**) Stops on request

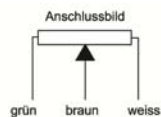
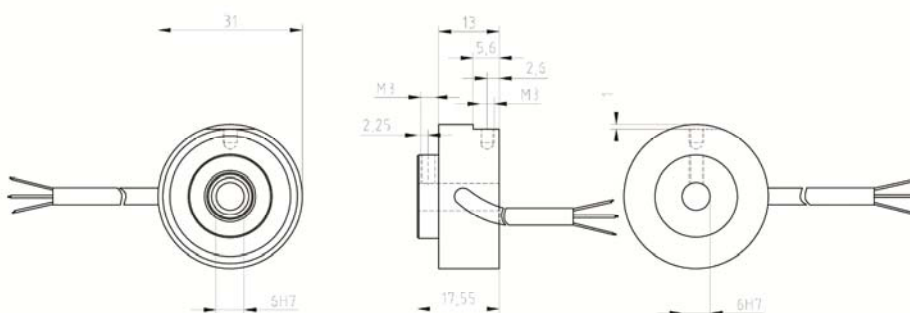
Hollow Shaft Sensor Conductive Plastic

PGL 60



metallux.de

technology matters



How to order

Serie	Type		Resistance	Electr. angle	Poss. connections
P G L	6 0	E	1 0 k	3 2 0 °	K A
Potentiometer Conductive plastic	Hollow shaft Ø 6 H 7	E - no mechanical end stop	1 k on request 5 k on request	Andere Drehwinkel auf Anfrage	KA - cable 1m length Other connections on request