

10-Turn Potentiometer Wirewound Model POD 2210



Features

- high life cycles
- sealing according to IP 65

Applications

- printing machines
- spindle adjustment
- servosystems

Metallux AG
Robert-Bosch-Str. 29
D-71397 Leutenbach
Tel: +49 (0) 7195/5980-0
Fax +49 (0) 7195/5980-300
www.metallux.de
info@metallux.de

10-Turn Potentiometer Wirewound Model POD 2210



metallux.de

technology matters

Electrical Characteristics

Resistance range	1k Ω , 5k Ω , 10k Ω	(1)
Resistance tolerance	$\pm 5\%$	(1)
Effective electrical angle	3600°	
Independent linearity	$\pm 0,25\%$	(1)
Power rating	2,0 W at 70°C	
Resolution	0,44% up to 0,12%	
Max. wiper current	50mA in failure mode	
Wiper load	$> 100 \cdot R_n$	
Insulation resistance	10 G Ω at 500 VDC	
End resistance	1% of R_{nom}	
Temperature coefficient at voltage divider	< 40 ppm/°C	

Mechanical Characteristics

Rotational life	1.000.000 shaft revolutions	
Mechanical angle	3600° + 10°	
Seal condition	IP 63/65	(1)
Torque (starting & running)	$< 0,7$ Ncm	(1)
Stop strength	> 5 Ncm	

Environmental Characteristics

Operating temperature	-25°C ... +85°C	
Climatic Class	25/085/56	
Vibration	10g (50Hz - 10 kHz)	
Shock	50g 11 msec half sine	

Material

Body mould	thermoplastic
Shaft	brass nickel plated
Terminals	brass gold plated

Specifications subject to change without notice

(1) Other values on request

(2) Stops on request

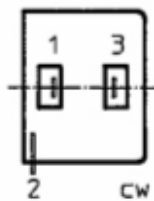
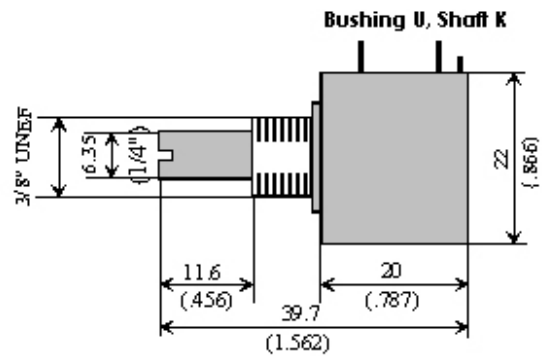
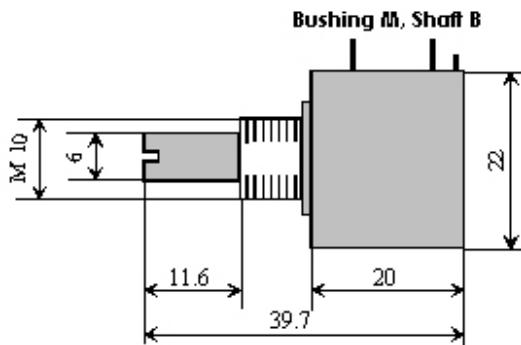
10-Turn Potentiometer Wirewound Model POD 2210



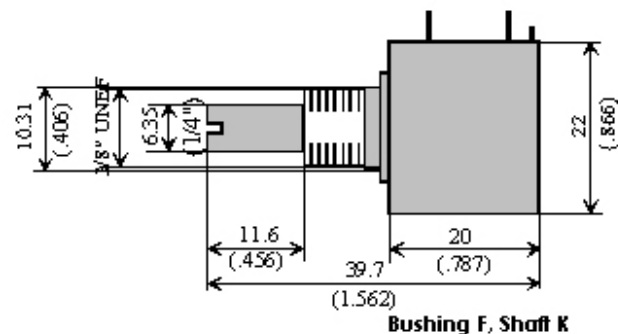
metallux.de

technology matters

Model



Connections



How to order

P	O	D	2	2	1	0	M	1	0	K
Series			Type		Type		Fixture	Resistance		
Potentiometer Wirewound			Housing diameter: 22mm		10 course 5 course 3 course		M - M 10 thread Ø 6mm axle with slot U - 3/8 Zoll thread Ø 6,35mm axle with slot	1K 5K 10K		

Specifications subject to change without notice