

**Membrane Sensor  
MetaPot  
rotative Potentiometer  
Model MTP-R**

**Features**

- extremely flat
- IP 65
- backside selfadhesive
- high life cycle

**Applications**

- Position sensing
- Servosystems
- Industr. applications
- Automotive

**Metallux AG**

Robert-Bosch-Str. 29  
D-71397 Leutenbach  
Tel: +49 (0) 7195/5980-0  
Fax +49 (0) 7195/5980-300  
[www.metallux.de](http://www.metallux.de)  
[info@metallux.de](mailto:info@metallux.de)

# MetaPot

## Potentiometer Membrane rotatory

### Model MTP-R



metallux.de

#### technology matters

#### Electrical Characteristics

Resistance range (Rn)	2,5k $\Omega$ / 90°
Resistance tolerance	$\pm$ 30%
Electrical angle	345° other angles on request
Independent linearity	$\pm$ 2%- $\pm$ 5% (depending on the temperature range)
Power rating	0,25 W /100mm at 40°C
Resolution	<10 $\mu$ m
Repeat accuracy	<0,1%
Hysteresis	<0,5% depending on the installation conditions
Max. wiper current	5 mA in failure mode
Wiperload	> 100* Rn
Temperature coefficient of output signal	$\pm$ 100 ppm/°C

#### Mechanical Characteristics

Lifetime	> 5 000 000 cycles
Max. operating speed	0,1 m/sec
Sandwich thickness	0,5 mm
External slider force	1-3 N (typical)
Wiper	POM or stainless steel

#### Environmental Characteristics

Operating temperature	A (-25°C ... + 60°C), B (-25°C...+85°C) C(-25°C...+125°C)
Protection class	IP 65, except connector and plug

#### Material

Substrate	PET foil, FR4
-----------	---------------

#### Electrical connections

Crimp female connector, crimpsolder contacts, (1)

Specifications subject to change without notice  
(1) Other values on request

MetaPot  
 Potentiometer Membrane rotatory  
 Model MTP-R

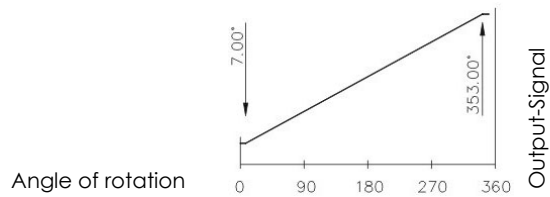
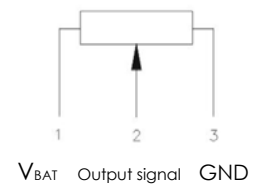
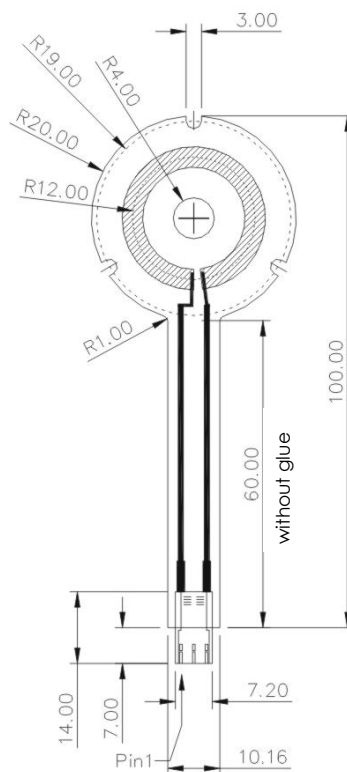


metallux.de

technology matters

Drawings

345°



How to order

<b>M</b>	<b>T</b>	<b>P</b>	<b>R</b>	<b>3</b>	<b>4</b>	<b>5</b>	<b>A</b>	<b>1</b>
Series			Attachment	Angles of rotation			Temperature range	Possible connections
MetaPot			R - Approximately (rotative)	345° - 3K			A - -25°C... +60°C B - -25°C... +85°C C - -25°C... +125°C	1 - Connector housing Berg Duflex 2 - Connector housing Crimplex 3 - Solder pins Crimplex

Specifications subject to change without notice