



Membrane Sensor METAPOT linear Model MTP-L

Features

- extremely flat
- IP 65
- backside selfadhesive
- long life cycle

Applications

- Position sensing
- Servosystems
- Industr. applications
- Automotive

Metallux AG

Robert-Bosch-Str. 29
D-71397 Leutenbach
Tel: +49 (0) 7195/5980-0
Fax +49 (0) 7195/5980-300
www.metallux.de
info@metallux.de

MetaPot Membrane Sensor linear Model MTP-L



metallux.de

technology matters

Electrical Characteristics

Resistance range (Rn)	2,5 k Ω / 100 mm stroke
Resistance tolerance	\pm 30%
Effective electrical strokes	50, 100, 200, 300, 400, 500 mm
Independent linearity	\pm 2% - \pm 5% (depending on the temperature range)
Power rating	0,25 W/100mm at 40°C
Resolution	<10 μ m
Repeat accuracy	<0,1% depending on the the installation conditions
Hysteresis	<0,5%
Max. wiper current	5 mA in failure mode
Wiperload	> 100* Rn
Temperature coefficient of output signal	\pm 100 ppm/°C

Mechanical Characteristics

Lifetime	> 5 000 000 cycles
Max. operating speed	>0,1 m/s
Sensor thickness	0,5 mm
External slider force	1-3 N
Wiper	POM or stainless steel

Environmental Characteristics

Operating temperature	A(-25°C ... + 60°C), B(-25°C...+85°C), C(-25°C...+125°C)
Protection class	IP 65, except access and plug

Material

Substrate	PET foil, FR4
Connections	Crimp Female Connector

Options

Electrical connection	crimp female connector, crimpsolder contacts (1) others on request
-----------------------	---

Specifications subject to change without notice
(1) other values on request

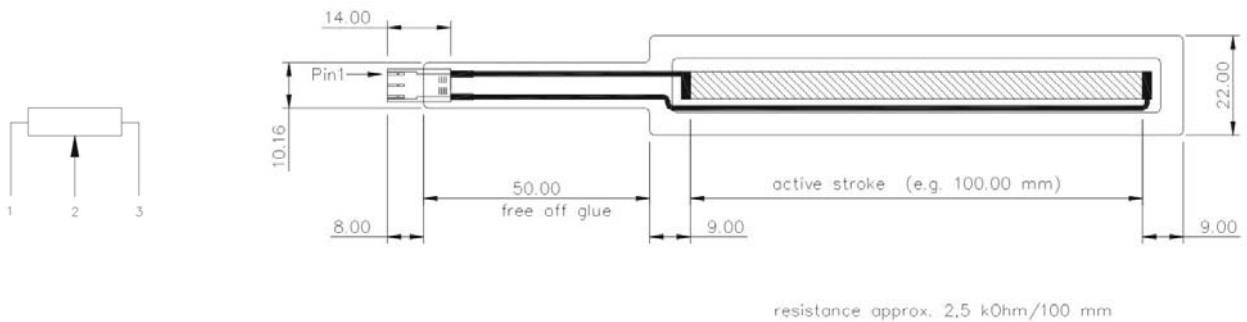
MetaPot Membrane Sensor linear Model MTP-L



metallux.de

technology matters

Drawings



How to order

M	T	P	L	1	8	0	A	1
Series			Attachment	Measuring lengths			Temperatur stability	Possible connections
MetaPot			L - Linear (translatorique)	50mm - 1,25K	100mm - 2,50K	200mm - 5,00K	A - -25°C ... +60°C	1 - Connector housing
				300mm - 7,50K	400mm - 10,00K	500mm - 12,50K	B - -25°C ... +85°C	2 - Connector housing
							C - -25°C ... +125°C	Crimflex lockable
								3 - Solder pins
								Crimflex

Specifications subject to change without notice