

Power Resistor

PWR-TR 2xx

cemented wire wound tube resistor



Features

- nominal power 15W bis 100W
- high load density
- robust construction
- optional self locking
- adjustable

Applikationen

- brake resistor
- discharging resistor
- protective resistor
- snubber resistor

Metallux AG
Robert-Bosch-Str. 29
D-71397 Leutenbach
Tel: +49 (0) 7195/5980-0
Fax: +49 (0) 7195/5980-300
<http://www.metallux.de>
info@metallux.de

Leistungswiderstand

PWR-TR 2xx

cemented wire wound tube resistor



metallux.de

technology matters

| Electrical characteristics | TR 260.2 | TR 260 | TR 261 | TR 262 | |
|--|-------------------|---------------|---------------|---------------|-----|
| Nominal load @ 25°C | 15 W | 20 W | 30 W | 40 W | (1) |
| Resistance range | 0,8 Ω - 12KΩ | 0,9 Ω - 15 KΩ | 1,5 Ω - 22 KΩ | 1,8 Ω - 27 KΩ | (2) |
| Resistance tolerance | ± 10 % (J = 5 %) | | | | |
| Working voltage | √PR | | | | |
| Insulation testing voltage | 1500 VAC | | | | |
| Inductance | < 0,2 mH at 1 KHz | | | | |
| Stability @25°C, P _n , 1000 h | 5 % | | | | |
| Temperature coefficient | ± 150 ppm/°C | | | | |

I

| Electrical characteristics | TR 265 | TR 266 | TR 267 | TR 268 | |
|---|-------------------|---------------|---------------|---------------|-----|
| Nominal load @ 25°C | 30 W | 50 W | 75 W | 100 W | (1) |
| Resistance range | 1,0 Ω - 16KΩ | 1,8 Ω - 27 KΩ | 3,0 Ω - 51 KΩ | 4,7 Ω - 68 KΩ | (2) |
| Resistance tolerance | ± 10% (J = 5 %) | | | | |
| Working voltage | √PR | | | | |
| Insulation testing voltage | 2000 VAC | | | | |
| Inductance | < 0,2 mH at 1 KHz | | | | |
| Stability @ 25°C, P _n , 1000 h | 5 % | | | | |
| Temperature coefficient | ± 150 ppm/°C | | | | |

Options

| | |
|---------|--|
| PWR-TRR | Typ with setting cap, resistance value is adjustable |
| PWR-TRS | Typ with thermal clamp fuse, rating of request |

Specifications subject to change without notice

- (1) surface temperature 300°C at nominal power
(2) other values on request

Leistungswiderstand

PWR-TR 2xx

cemented wire wound tube resistor



metallux.de

technology matters

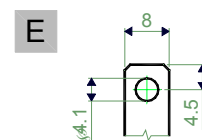
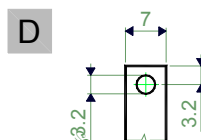
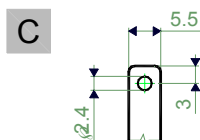
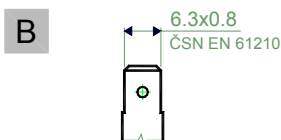
| Mechanical datas | TR 260.2 | TR 260 | TR 261 | TR 262 | TR 265 | TR 266 | TR 267 | TR 268 |
|------------------|----------|--------|--------|--------|--------|--------|--------|--------|
| Weight | 30 g | 36 g | 44 g | 51 g | 45 g | 60 g | 80 g | 110 g |
| Protection class | IP 00 | | | | | | | |

Environmental datas

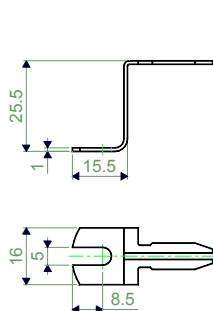
| | |
|-----------------------|------------------|
| Storage temperature | - 10°C ÷ + 50°C |
| Operating temperature | - 50°C ÷ + 350°C |
| Climatic class | 50/200/56 |

Material

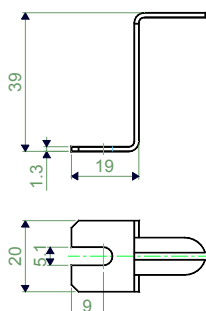
| | | | | | | | | | |
|--------------------------|---|------|------|------|------|------|------|------|-----|
| Leads for TR | C | B, D | B, D | B, D | B, E | B, E | B, E | B, E | (1) |
| Leads for settig cap TRR | D | D | D | D | D | D | D | D | |
| Leads for TRS | B | B | B | B | B | B | B | B | |



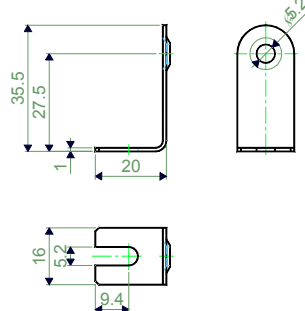
H1



H2



H3



Specifications subject to change without notice

(1) other leads on request

(2) other mounting accessories on request

Leistungswiderstand

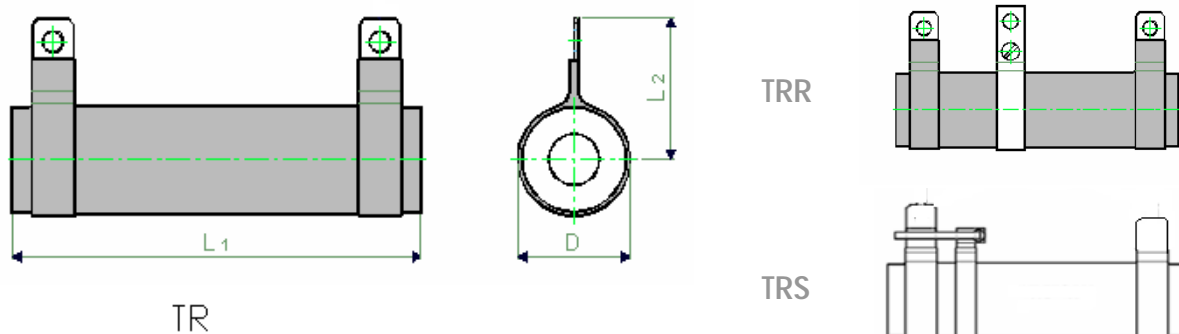
PWR-TR 2xx
zementierte Rohrwiderstände



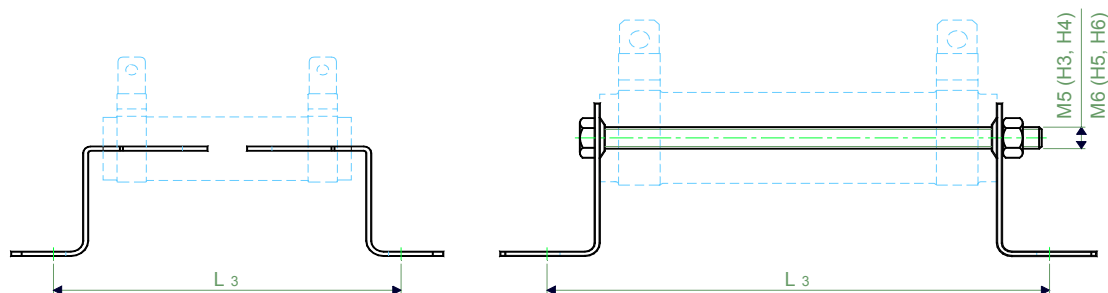
metallux.de

technology matters

Drawing



| Dimension | TR 260.2 | TR 260 | TR 261 | TR 262 | TR 265 | TR 266 | TR 267 | TR 268 |
|--------------|-----------|-----------|-----------|------------|-----------|-----------|------------|------------|
| Length L1 | 50 mm±0,6 | 60 mm±0,8 | 80 mm±1,4 | 100 mm±1,8 | 55 mm±0,6 | 80 mm±0,8 | 120 mm±1,4 | 164 mm±3,0 |
| Diameter D | 17 mm | 17 mm | 17 mm | 17 mm | 24 mm | 24 mm | 24 mm | 24 mm |
| Dimension L2 | 25 mm | 25 mm | 25 mm | 25 mm | 32 mm | 32 mm | 32 mm | 32 mm |
| Dimension L3 | 72 mm±1 | 82 mm±1 | 103 mm±1 | 123 mm±1 | 78 mm±1 | 103 mm±1 | 144 mm±1 | 188 mm±1 |



How to order

| Typ | Design | Setting cap / clamp fuse (Option) | Power-typ | Resistance value | Resistance tolerance | leads | holder |
|-----|--------|-----------------------------------|-----------|------------------|----------------------|-------|--------|
| PWR | TR | R / S | 266 | 100 Ω | 10 % | B | H1 |

Specifications subject to change without notice